



BRONNEBERG

PERFECTION IN RECYCLING MACHINES, SERVICES AND SOLUTIONS

The greatest threat to our planet is the belief that someone else will save it.

When you put the whole picture together, recycling is the right thing to do.



BRONNEBERG

Recycling Machines

Explore the next pages to discover how Bronneberg goes beyond manufacturing cutting-edge recycling machines. Delve into our comprehensive services, where expertise meets innovation. Experience the various recycling machines with their specializations in their specific work areas.



TABLE OF CONTENT

■ CORE VALUES	04-05	■ MPZ	36-39
■ KAB-V	06-09	■ SP 350	40-41
■ KAB-X	10-13	■ CF SERIES	42-45
■ KAB-Y	14-17	■ LOURITEX	48-49
■ KAB-W	18-21	■ ROTOBEC	50-51
■ FOREX	22-25	■ FORREC	52-53
■ A 600E HD	26-27	■ IRIS-MEC	54-55
■ OPTICAL SORTER	28-29	■ HOLMATRO	56-57
■ G SERIES	30-31	■ SERVICES	58-59
■ SUPER III	32-35		

BRONNEBERG
recycling machines & services

PERFECTION IN **RECYCLING MACHINES, SERVICES AND SOLUTIONS**



BRONNEBERG

PERFECTION IN RECYCLING MACHINES, SERVICES AND SOLUTIONS

FAMILY

Bronneberg is more than just a company; it's a family. The power of family runs deep in our DNA. Founded on principles of trust, unity, and resilience, our family-owned business embodies a spirit of collaboration and solidarity that sets us apart in the global recycling market. When we talk about our family, we are not just talking about our blood relatives. We are also talking about our colleagues, and our international customers and suppliers. With the support of our family of employees, customers, and partners, we look forward to continuing our journey together, shaping the future of recycling one step at the time.

DEDICATION

What truly sets us apart is our dedication to our customers. As a family-owned business, we understand the value of personal relationships and the importance of providing exceptional service. Rooted in the values passed down through generations, we approach every interaction with honesty, transparency, and genuine care for our customers and partners.

KNOWLEDGE AND EXPERTISE

With over 75 years of experience in the recycling market, we have gained a deep understanding of the challenges of recycling processes. Our dedicated team of professionals is there to support our customers in their needs, from advice till installation. Moreover, our expertise extends to providing tailored solutions that address the unique needs of our customers.

GUARANTEE FOR RELIABILITY, PRODUCTIVITY AND INNOVATION

For over 75 years Bronneberg is active in the recycling industry. Bronneberg develops, manufactures and delivers high-performance machines for almost all areas of processing and recycling of ferrous and non-ferrous scrap metals, car wrecks, cables, paper and cardboard.

All machines are designed to provide years of trouble-free operation even under the severe operating conditions in recycling. Bronneberg, means much more than just production and delivery of recycling machines.

In addition to the well-known Bronneberg machines, we also exclusively represent the following renowned brands:

- Louritex: Stationary and mobile scrap shears with cutting forces up to 2.500 tonnes
- Iris-Mec: Car depolution equipment
- Holmatro: Portable hydraulic cutters
- ForRec: Single shaft shredders, double shaft shredders and hammer mills
- Rotobec: Orange Peel Grapples

PERFECTION IN **RECYCLING MACHINES, SERVICES AND SOLUTIONS**



BRONNEBERG

KAB | V

STRIPPER



BRONNEBERG CABLE STRIPPER KAB-V

The most professional and versatile table top cable stripper available, and our only 230 volt, double stripping capability/mechanism available.



Cable Stripper



Power pack		230 Volt - 1,5 kW
Cutting capacity		Ø 2 - 40 mm
Stripping speed		max. 15 m/min
Weight		90 Kg
Dimensions		600 x 400 x 550 mm

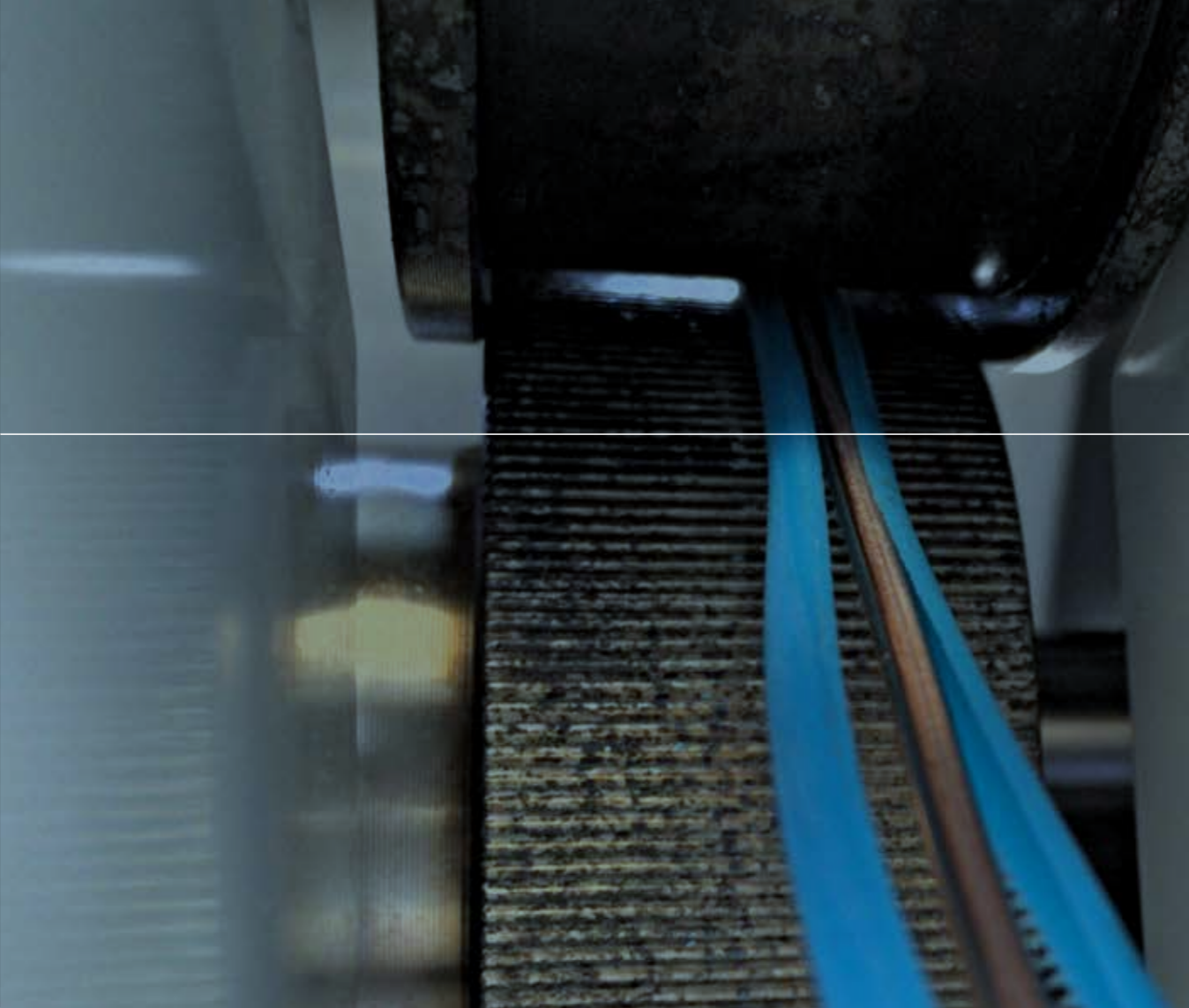
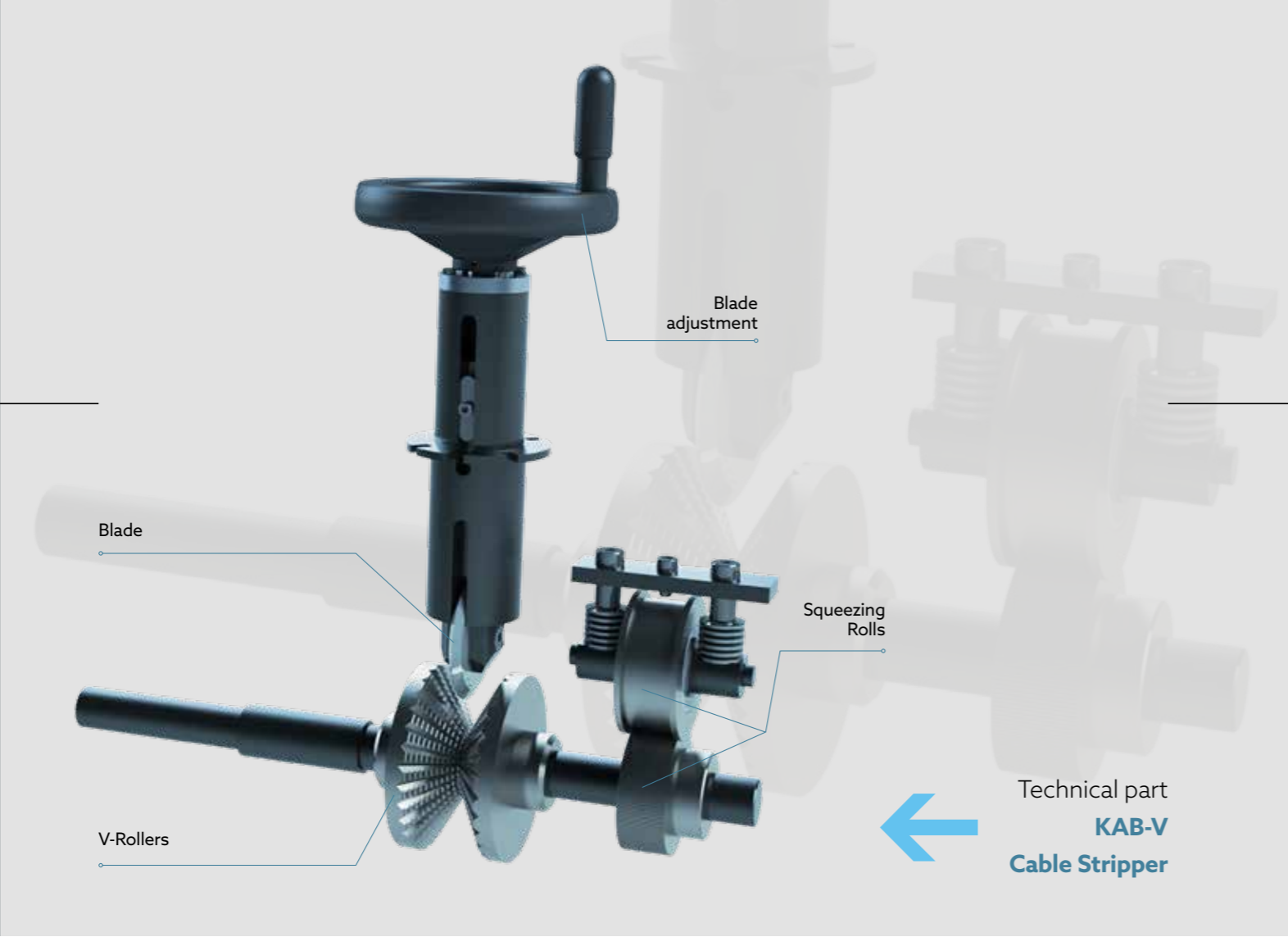


PERFECTION IN **RECYCLING MACHINES, SERVICES AND SOLUTIONS**



BRONNEBERG
STRIPPER

- Easy to use
- Low Maintenance
- Portable



**Table-Top
Cable
Stripper**

TECHNIQUE **KAB-V**

The KAB-V is equipped with a single rotating knife, as well as a squeezing possibility to even process the thinnest single core copper cables. This is the first tabletop cable stripping machine on the market to combine these two functions.



BRONNEBERG

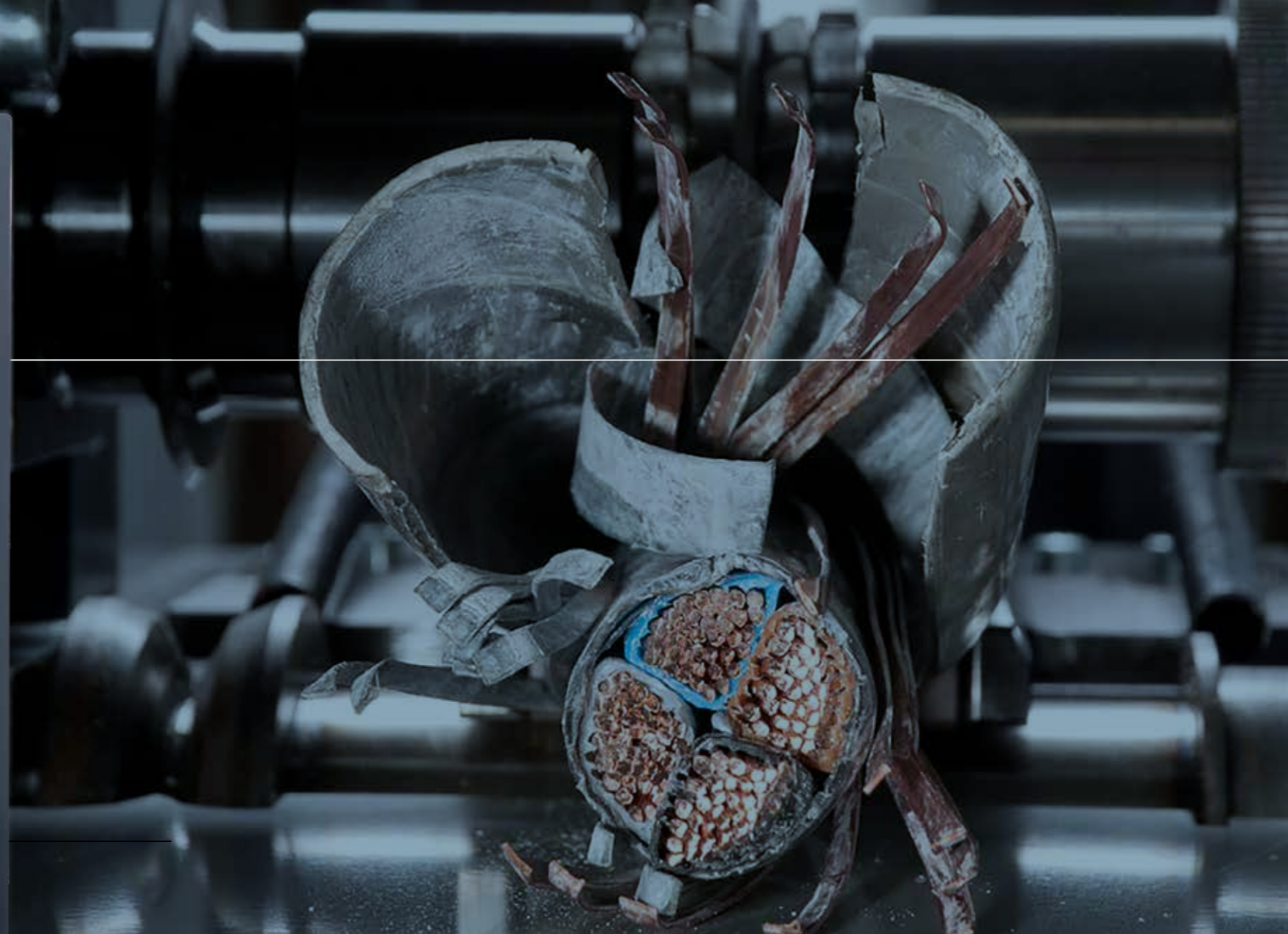
KAB | X

STRIPPER



BRONNEBERG CABLE STRIPPER KAB-X

The KAB-X, based on many years of development, is equipped with 3 different cable stripping mechanisms: Double driven blades with gripping wheels on the side, squeezing rolls for single core thin cables and a V-roll with blade system.



Cable Stripper



Power pack		400 Volt - 3,0 kW
Cutting capacity		Ø 2 - 90 mm
Stripping speed		max. 50 m/min
Weight		250 Kg
Dimensions		760 x 610 x 1.450 mm

PERFECTION IN **RECYCLING MACHINES, SERVICES AND SOLUTIONS**



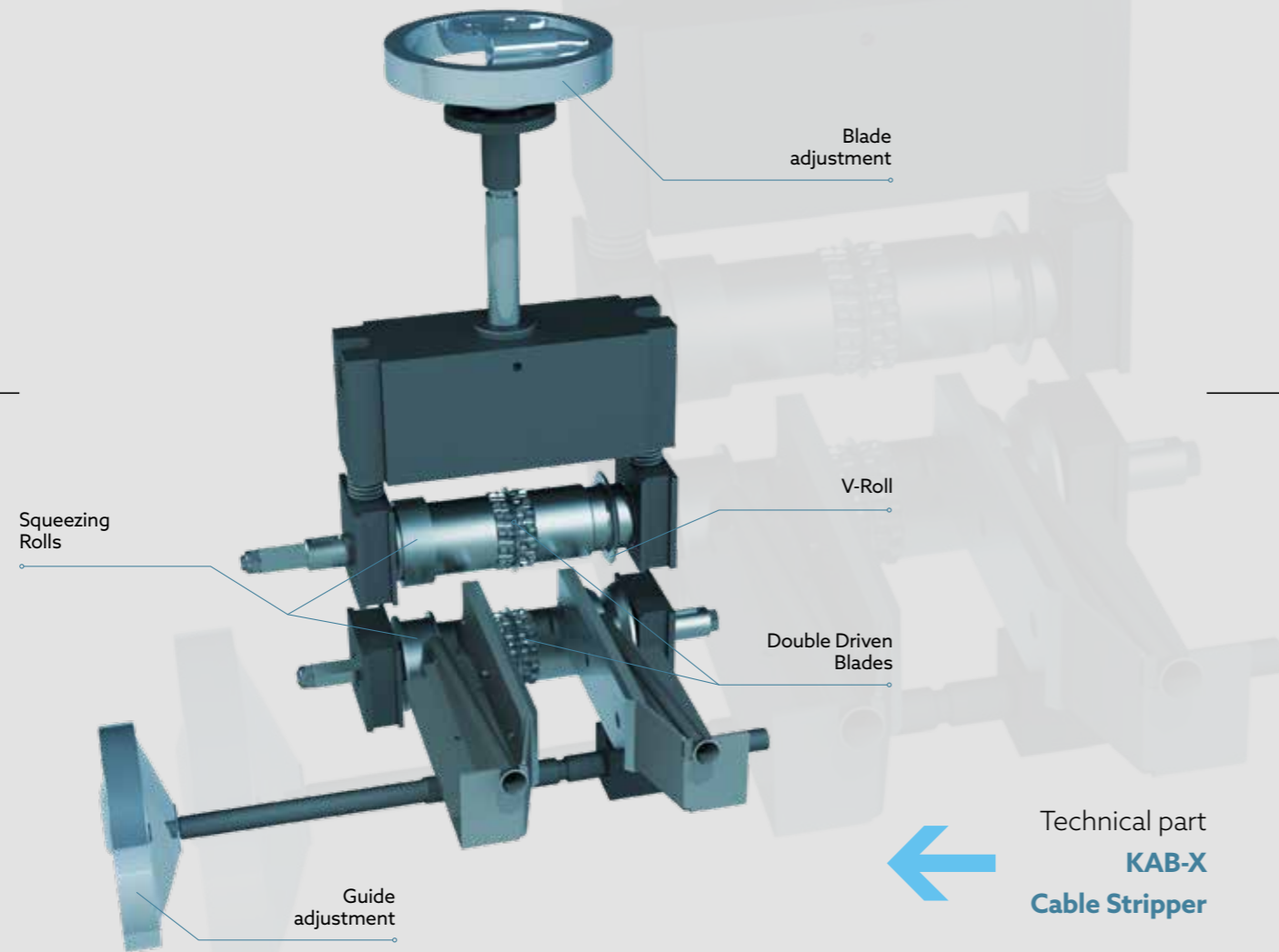
BRONNEBERG
STRIPPER

■ Easy to operate

■ Maximum safety

■ Double Cutting Mechanism

■ Proven technique



Technical part
KAB-X
Cable Stripper

TECHNIQUE **KAB-X**

This versatile cable stripper is designed to easily strip light armoured aluminium and copper cables. The KAB-X is very easy to adjust using the two wheels. The accurate cable guiding system makes it possible to even strip the most complicated cables, for example multicore and triangle shape, in one pass.

Based on
50 Years
of Innovation

PERFECTION IN **RECYCLING MACHINES, SERVICES AND SOLUTIONS**



BRONNEBERG

KAB | Y

STRIPPER



BRONNEBERG CABLE STRIPPER KAB-Y

This Bronneberg cable stripper is standard equipped with a foldable sorting table in case you need to strip thick rubber or nylon isolated cables. You can use the easy adjustable side blade for a perfect stripping result.



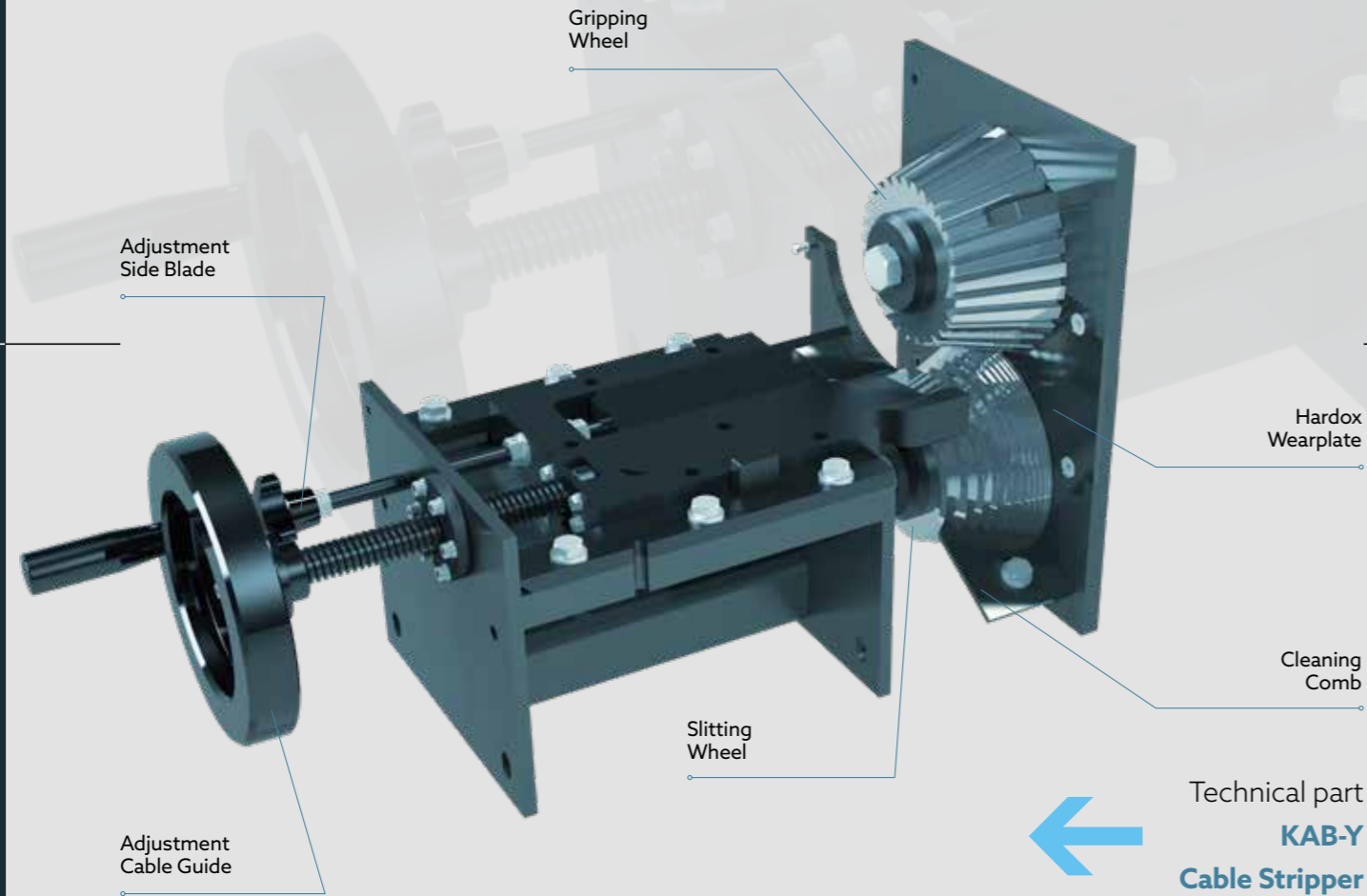
Ideal for
thick isolated
aluminum
cable and
rubber cables

PERFECTION IN **RECYCLING MACHINES, SERVICES AND SOLUTIONS**



BRONNEBERG
STRIPPER

- Conical wheels
- Foldable outfeed table
- Easy to adjust
- Hardox wear parts



Cable Stripper



Power pack		400 Volt - 3,0 kW
Cutting capacity		Ø 4 - 80 mm
Stripping speed		max. 27 m/min
Weight		378 Kg
Dimensions		1.300 x 1.190 x 1.090 mm



TECHNIQUE KAB-Y

The KAB-Y is standard equipped with one set of slitting and gripping wheels. This ensures the processing of almost every cable kind (round, square, rubber, lead, aluminium, etc). The foldable outfeed table makes it possible to easily separate various materials after the cable stripping.



BRONNEBERG

KAB | W

STRIPPER



Cable Stripper



Power pack		400 Volt - 11 kW
Cutting capacity		Ø 30 - 180 mm
Stripping speed		max. 10 m/min
Weight		1.750 Kg
Dimensions		1.700 x 1.700 x 1.800 mm

BRONNEBERG CABLE STRIPPER KAB-W

If you wish to strip armoured, heavy PVC and greased cables the Bronneberg KAB-W cable stripper is the machine to go for. This heavy-duty cable stripper strips the following kinds of cables: steel wire armoured (SWA) cable, steel tape armoured cable, lead covered cable, thick nylon ridged cables (high voltage cables)

PERFECTION IN **RECYCLING MACHINES, SERVICES AND SOLUTIONS**



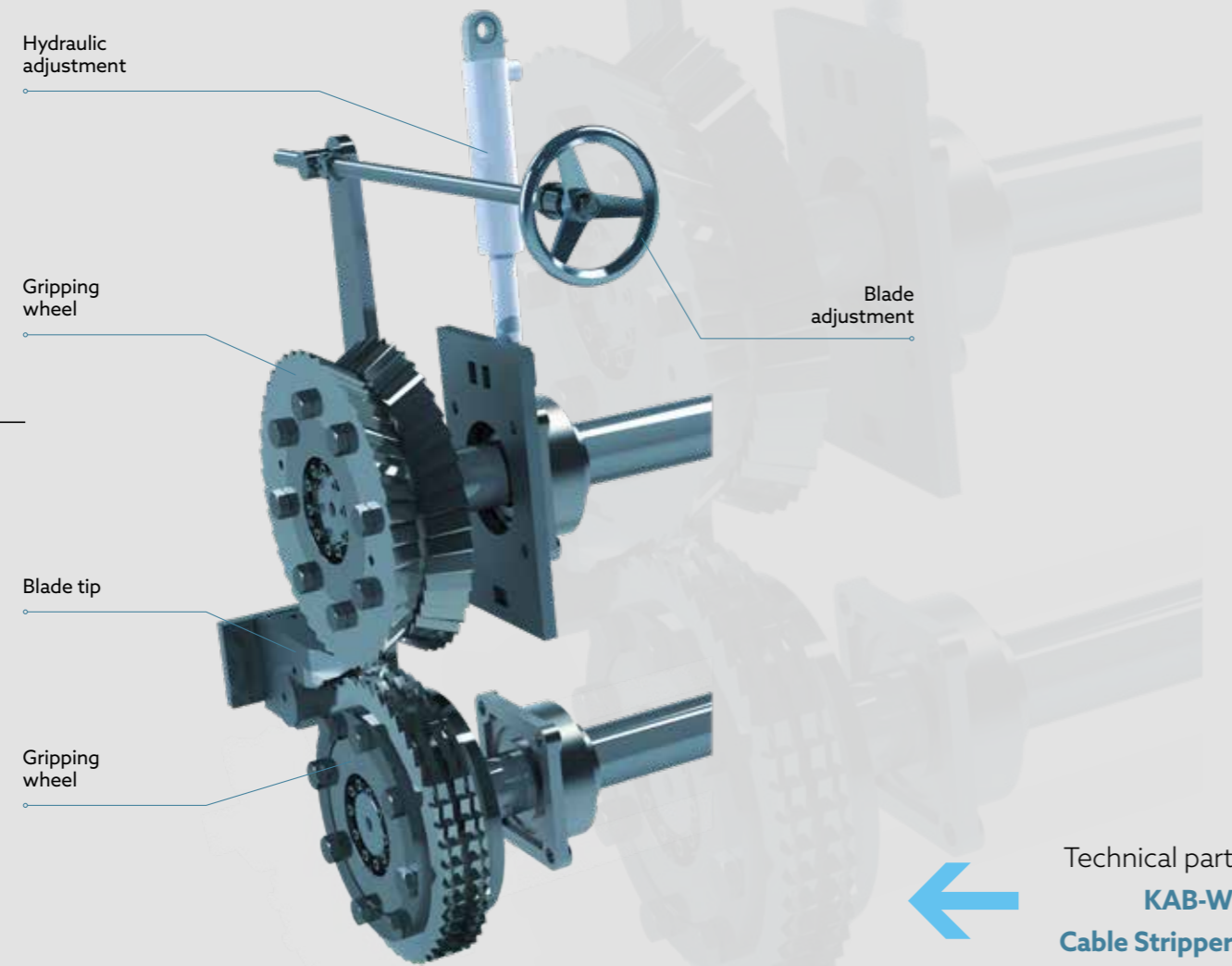
BRONNEBERG
STRIPPER

Precise cable guidance

Easy operation

Hydraulic adjustment
gripping wheels

Low-maintenance



Technical part
KAB-W
Cable Stripper

Heavy duty
cable stripper
strips steel (tape)
armoured cable,
lead covered cable
& thick nylon
ridged cables



TECHNIQUE **KAB-W**

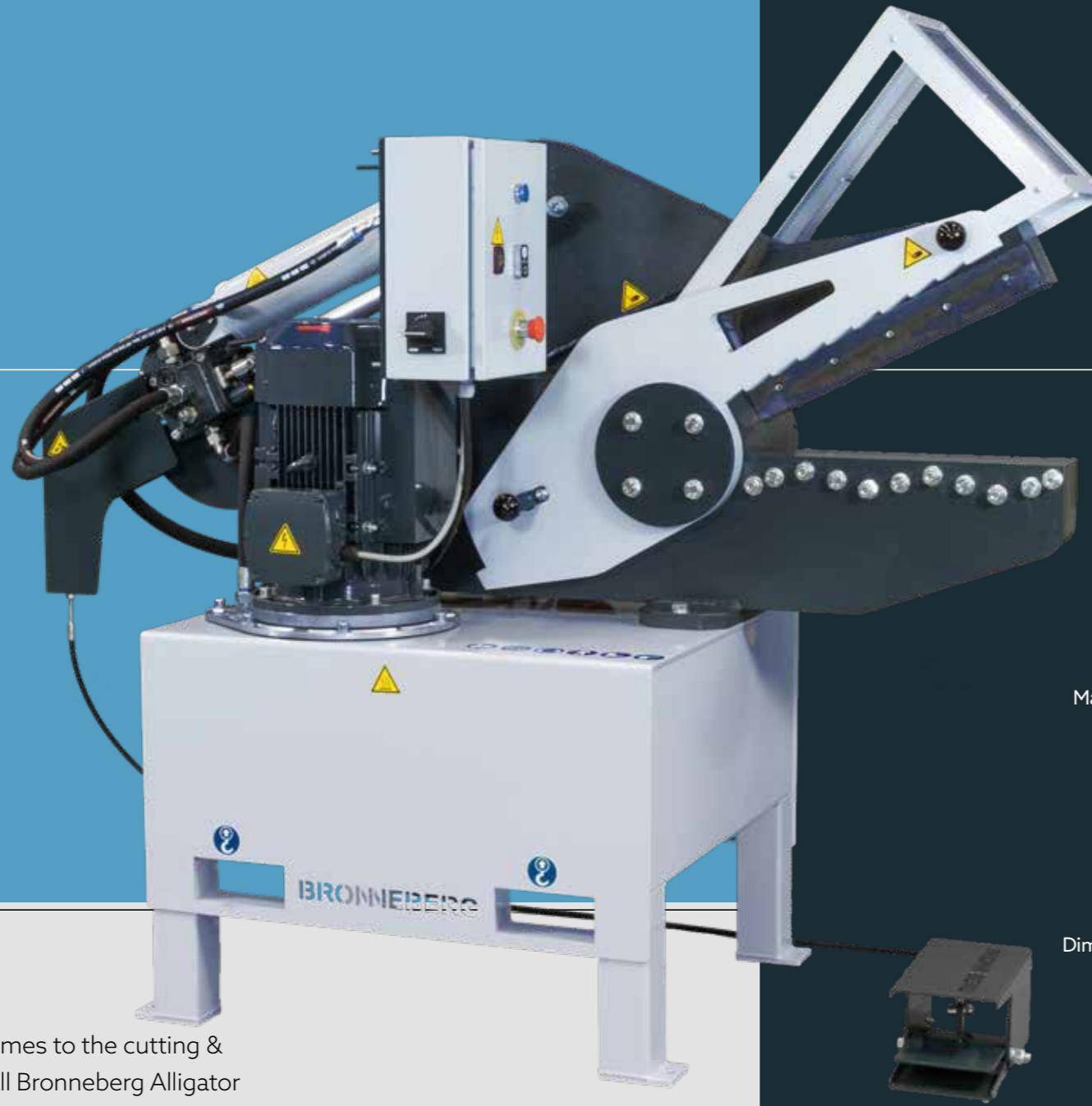
Due to the single suspension of the wheels, the KAB-W is able to strip even the toughest cable. The special developed wheels and infeed system ensure that even the most complicated cables can be stripped in one pass. The cutting depth of the knife can be easily adjusted for the perfect cutting of the cable. Due to the integrated hydraulic accumulator and easy exchangeable blade tip, this machine has the lowest maintenance costs in its kind.



BRONNEBERG

Forfex | 400 | 500 | 600

SHEAR



Forfex

400

500

600



Power pack		400 Volt 7,5 kW	400 Volt 7,5 kW	400 Volt 7,5 kW
Blade length		400 mm	500 mm	600 mm
Max. blade opening		250 mm	275 mm	300 mm
Cutting capacity		Max. Ø 40 mm (St.37)	Max. Ø 40 mm (St.37)	Max. Ø 40 mm (St.37)
Dimensions		1.775 x 760 x 1.400 mm	1.900 x 760 x 1.500 mm	2.000 x 760 x 1.500 mm
Weight		1.110 Kg	1.135 Kg	1.225 Kg



BRONNEBERG ALLIGATOR SHEAR FORFEX

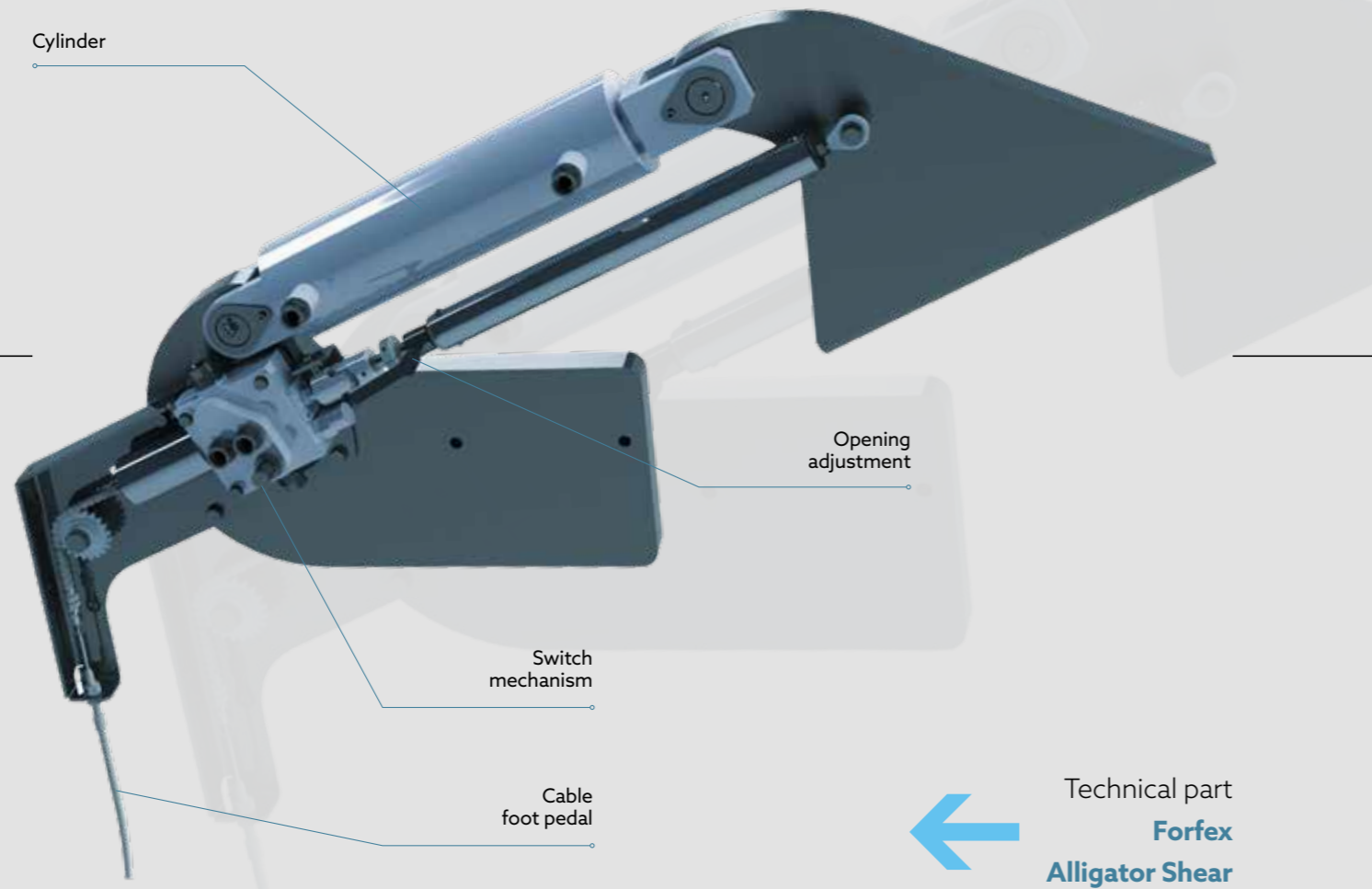
This hydraulic alligator shear is the ideal machine when it comes to the cutting & cleaning of light and medium sized non-ferrous materials. All Bronneberg Alligator Shears have been built to last and our shears rely on 40 years of experience, even in the toughest circumstances.

PERFECTION IN **RECYCLING MACHINES, SERVICES AND SOLUTIONS**

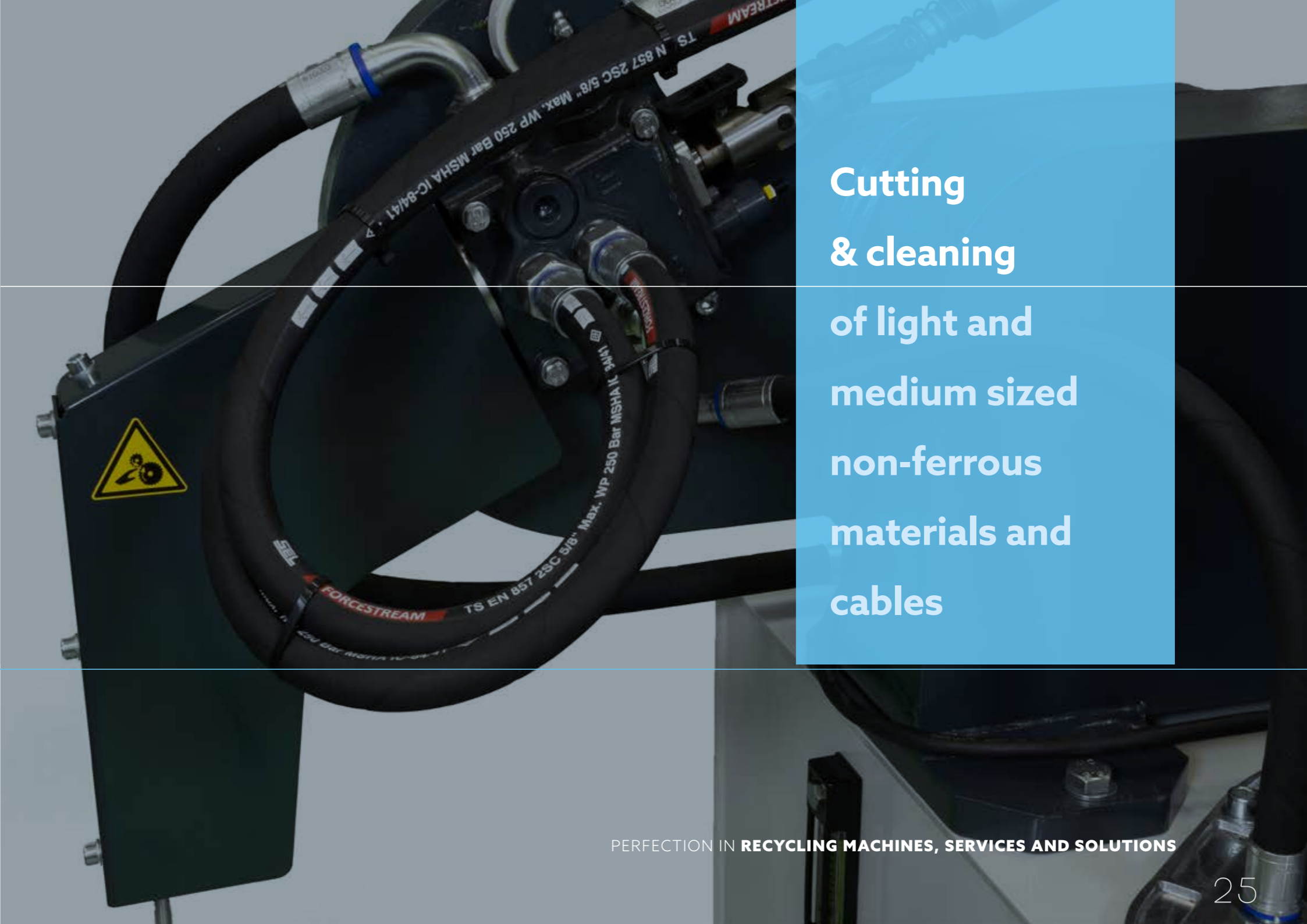


BRONNEBERG
SHEAR

- Mechanical adjustable holddown
- Adjustable blade opening
- Safety cage



**Cutting
& cleaning
of light and
medium sized
non-ferrous
materials and
cables**



TECHNIQUE **SHEAR FORFLEX**

This maintenance and operator friendly shear is equipped with a mechanically adjustable hold-down clamp in combination with a safety guard over the cutting head. The shear head is operated by a mechanical foot pedal for single or continuous cutting. The opening of the shear head can be adjusted by simply moving the end switch.



BRONNEBERG

A 600E | HD

SHEAR



BRONNEBERG A 600E HD

The type A 600E-HD alligator shear is fitted with a hydraulic hold-down. The protected shear head is operated by a foot pedal for single or continuous cutting. This shear is equipped with a large oil tank and oil cooling to process heavy loading.



Alligator A-600E HD



Power pack		400 Volt 22 kW
Blade length		600 mm
Max. blade opening		300 mm
Cutting capacity		Max. Ø 80 mm (St.37)
Dimensions		2.600 x 1.500 x 1.800 mm
Weight		4.100 Kg



- Designed for the cutting of ingot and special alloys
- Equipped with a safety table
- Ideal for cutting all oversized materials

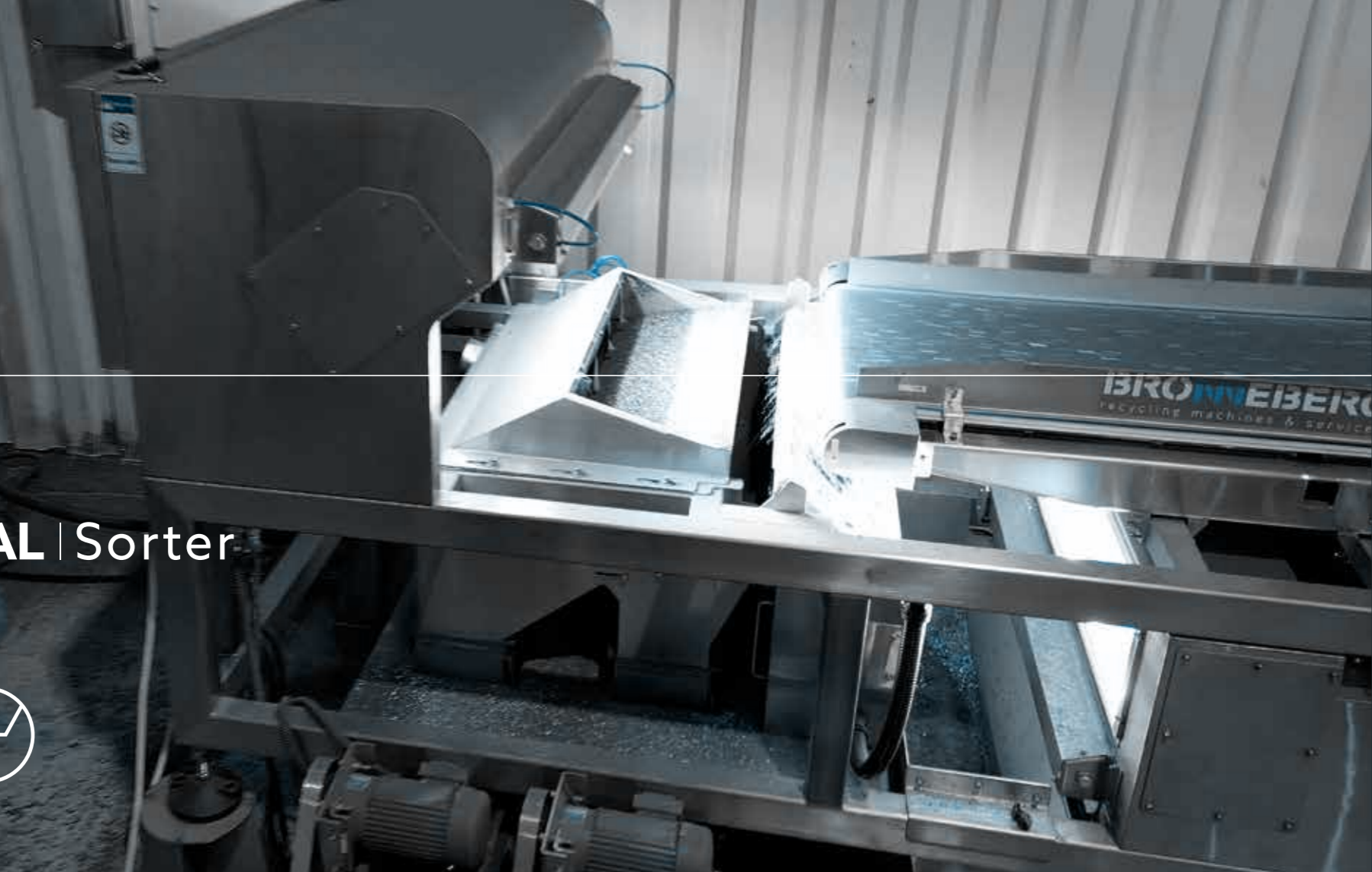
PERFECTION IN **RECYCLING MACHINES, SERVICES AND SOLUTIONS**



BRONNEBERG

OPTICAL | Sorter

SORTER



Optical Sorter



	600XL	1200XL
Power pack	400 Volt 1,5 kW	400 Volt 1,5 kW
Width Sorting Belt	600 mm	1.200 mm
Cameras	4	8
Capacity Cu Granules	500 Kg/Hr	1.000 Kg/Hr



BRONNEBERG OPTICAL SORTER

Our latest innovation to optimize the purity of your copper granulate. With the use of advanced cameras and air-purifiers, our optical sorter can refine your purity to 99,5%. It can be programmed to your recycling needs to separate by shape as well as by color.

- Standard supplied with a large storage bunker
- Easy to set up
- Separation by shape as well as color

PERFECTION IN **RECYCLING MACHINES, SERVICES AND SOLUTIONS**



BRONNEBERG

G | series

SPLITTERS



Reel
Strippers



Power
pack



G-25

G-25A

G-35

G-35A

G-50

G-50A

400 V - 7,5 kW

400 V - 7,5 kW

400 V - 9 kW

400 V - 9 kW

400 V - 15 kW

400 V - 15 kW

Cutting
width



1.500 mm

1.500 mm

2.000 mm

2.000 mm

3.000 mm

3.000 mm

Max. roll
diameter



Ø 850 mm

Ø 1.250 mm

Ø 850 mm

Ø 1.250 mm

Ø 850 mm

Ø 1.250 mm

Cutting
force



25 T

25 T

2 x 17,5 T

2 x 17,5 T

2 x 25 T

2 x 25 T

Cutting
speed



25 mm / Sec

25 mm / Sec

20 mm / Sec

20 mm / Sec

20 mm / Sec

20 mm / Sec

Weight



2.600 Kg

2.850 Kg

3.000 Kg

3.500 Kg

4.600 Kg

5.200 Kg

BRONNEBERG REEL SPLITTERS

Various versions of the Bronneberg reel splitter are available. The reel splitter is suitable for cutting paper, carton, plastic foil and aluminum foil. Our range contains reel cutting machines for rolls up to 4.000 mm wide and maximum 2.000 mm in diameter.

PERFECTION IN **RECYCLING MACHINES, SERVICES AND SOLUTIONS**



BRONNEBERG

SUPER III

BALER



BRONNEBERG SUPER III - LID BALER

The Super III baler has a glorious history and a promising future. A reliable concept as the Bronneberg Super III has with so many satisfied customers worldwide. Available in stationary and mobile as well as electric or Diesel version. The Super III is a versatile baler and therefore suits many baling purposes in every scrap yard.



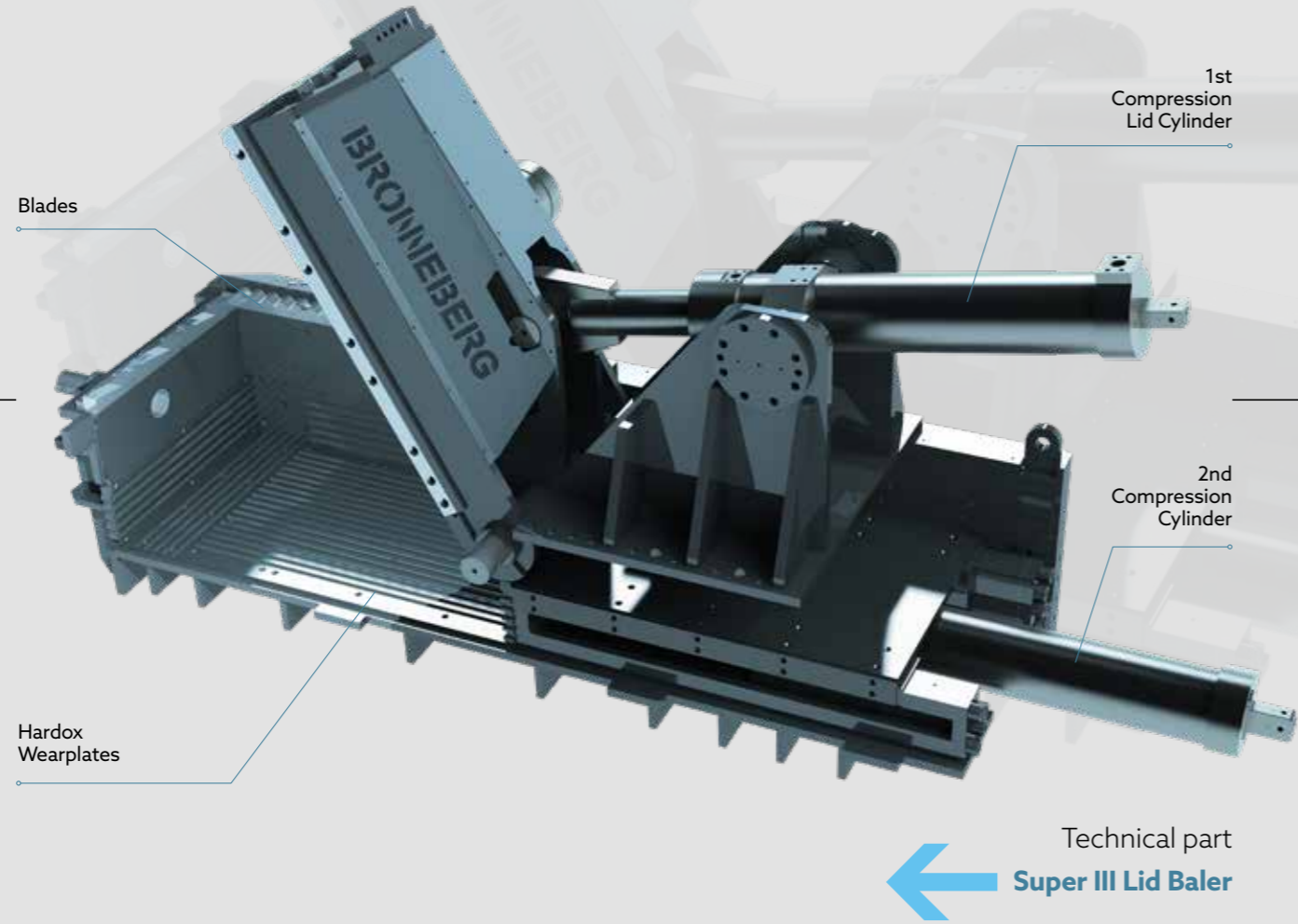
Pre-Loading Box
for
Optimizing
Efficiency

PERFECTION IN RECYCLING MACHINES, SERVICES AND SOLUTIONS



BRONNEBERG
BALER

- Profile Hardox wear plates
- Simple operations
- Robust construction
- Powerful and multipurpose



TECHNIQUE SUPER III

The material can be loaded directly into the compression chamber, or by using the pre-loading box. The lid closes and cuts the excess material off the edges. The second and third compression take place next to compress the scrap into a bale. Then the door opens to eject the package.

Baler



Power pack		400 V 2x 30 kW
Operation		Automatic Remote control
Compressions		2 + lid
Loading box		1.600 x 975 mm
Bale size		300 x 300 x var. mm 400 x 400 x var. mm
Final compression		1.250 kN / 1.500 kN
Cycle time		30 - 60 sec.
Weight		22000 Kg.



PERFECTION IN **RECYCLING MACHINES, SERVICES AND SOLUTIONS**



BRONNEBERG

MPZ |

BALER



Continuous
baling of various
ferrous and
non-ferrous
production waste
and turnings

BRONNEBERG

MPZ

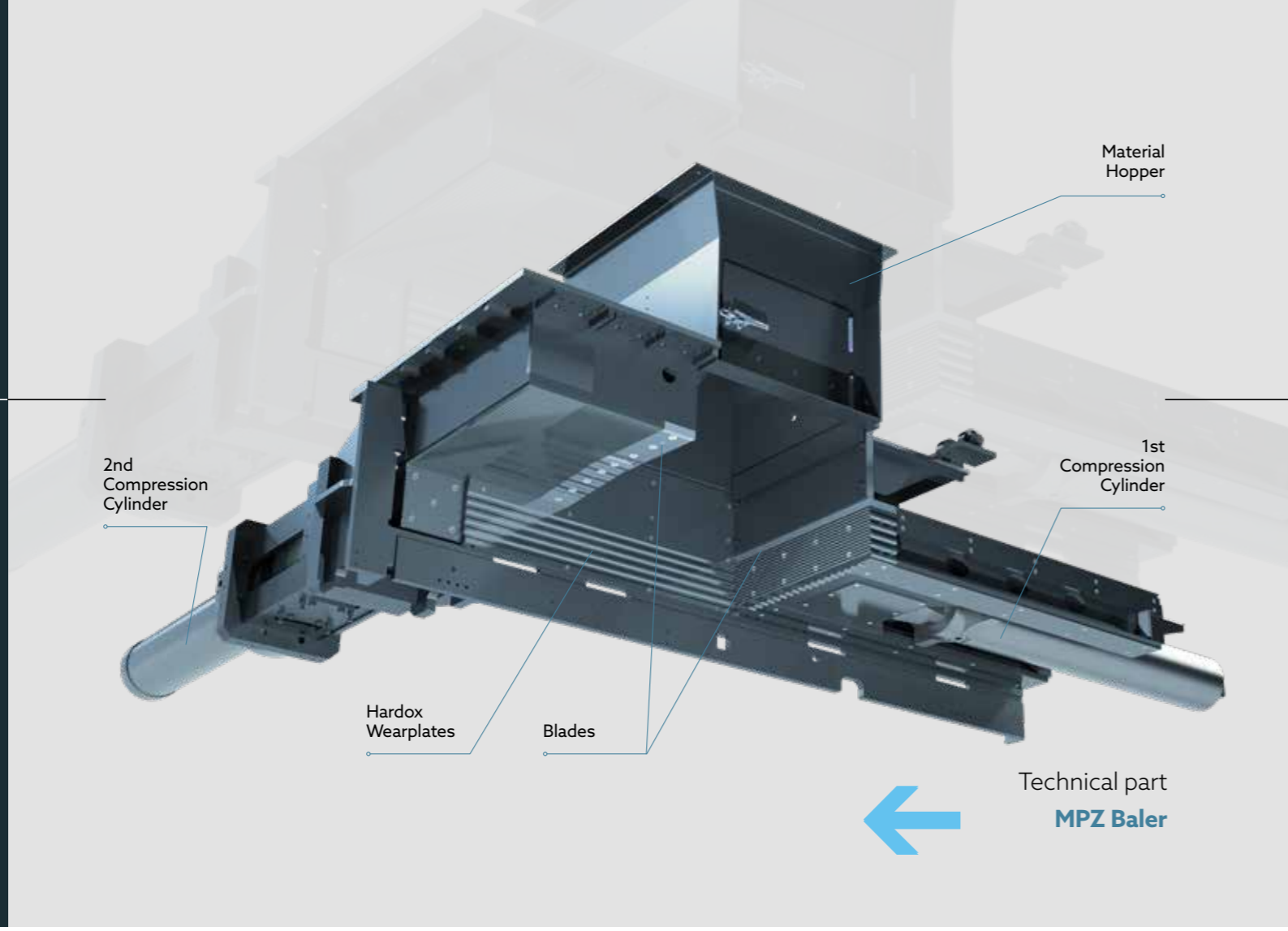
The Bronneberg MPZ compression baler is a universal and reliable machine. Due to the dimensions of the bales, the MPZ achieves a higher pressing force than competitive products. This baler is designed for industrial pressing processes or for waste scrap processes.

PERFECTION IN **RECYCLING MACHINES, SERVICES AND SOLUTIONS**



BRONNEBERG
BALER

- Robust design
- Short cycle time
- Continuous loading without risk for jamming



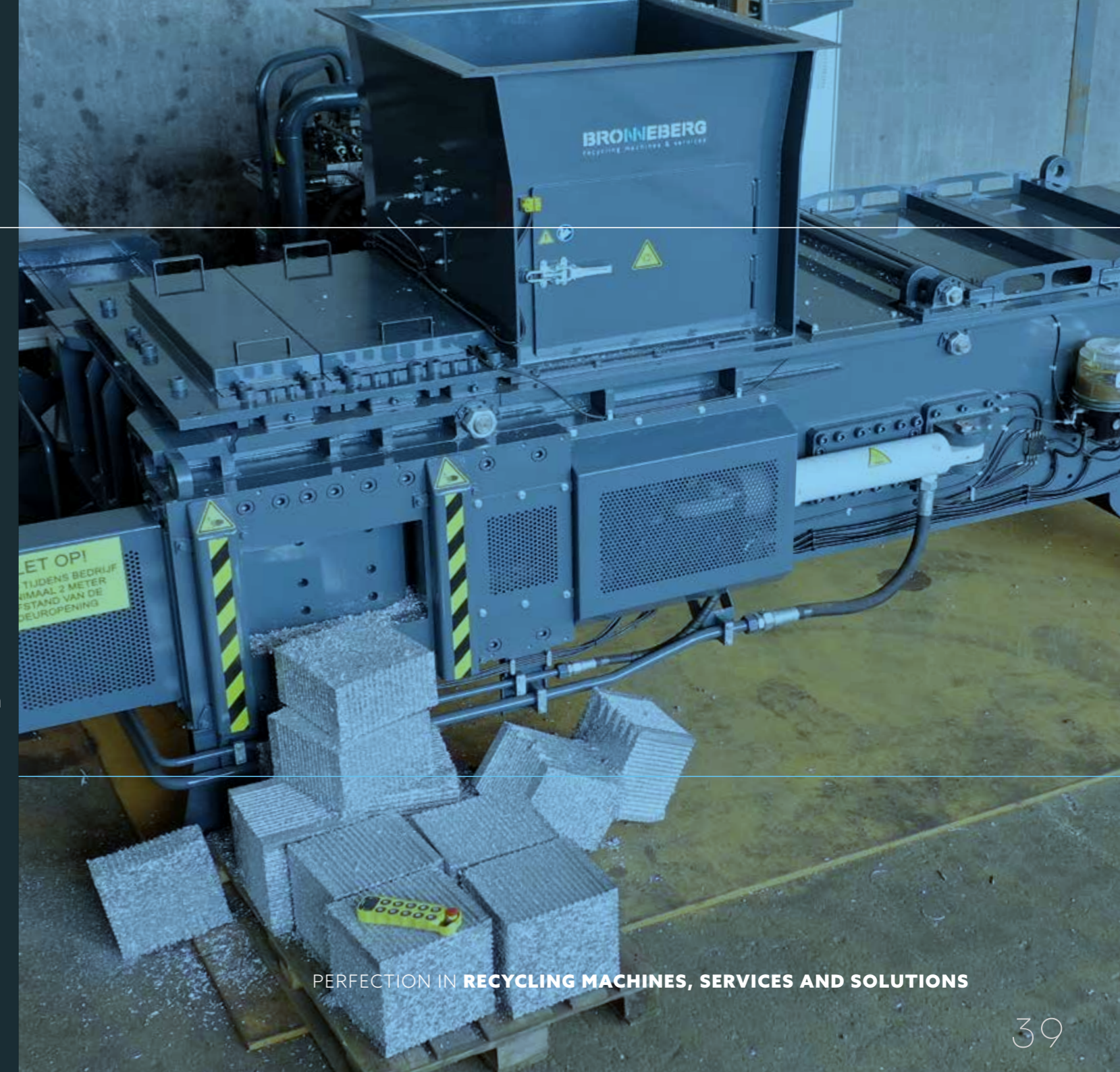
TECHNIQUE MPZ

The MPZ baler is equipped with a shear function on the 1st compression pusher block. This means the baler will cut off oversized material when operating, with no chance of material jamming. After the first compression, a 2nd compression will take place using the side cylinder, following the opening of the door to eject the bale. The Bronneberg MPZ baler is designed for continuous baling purposes and, therefore, the pre-loading hopper can be loaded continuously with a grapple or a conveyor belt.

Baler



Power pack		400 V 2x 30 kW
Operation		Automatic Remote control
Compressions		2
Loading box		1.800 x 1.000 mm
Bale size		300 x 300 x var. mm 400 x 400 x var. mm
Final compression		1.500 kN
Cycle time		30 sec.
Weight		23.000 Kg



PERFECTION IN **RECYCLING MACHINES, SERVICES AND SOLUTIONS**



BRONNEBERG

SP | 350

BALER



Baler



Power pack		400 V 2x 90 kW / 1x 22 kW
Operation		Automatic Remote control
Compressions		3x
Loading box		3.400 x 1.400 mm
Bale size		300 x 300 x var. mm 400 x 400 x var. mm
Final compression		3.500 kN
Cycle time		< 40 sec.
Weight		65000 Kg.



3rd compression 3.500 kN

Very short cycle time
<30 seconds

Continuous loading leading to
high production

Compact construction with big
loading/compression box
fully equipped with Hardox
profiled wear plates

Suitable for bulky ferrous
and non-ferrous scrap,
Aluminium & steel
stampings/punching etc.

BRONNEBERG HIGH SPEED BALER SP 350

The Bronneberg 3-compression High Speed SP-350 baler is a heavy duty designed and engineered baler in accordance with the latest technology in engineering and manufacturing standards. This Bronneberg baler can rely on over 40 years of experience in even the toughest working environments.

The vertical compression block cuts like a guillotine shear on the V shape blades of the horizontal block, thereby eliminating jamming of material.

PERFECTION IN **RECYCLING MACHINES, SERVICES AND SOLUTIONS**



BRONNEBERG

CF | series

FLATTENER



Equipped
with Container
Hook System

BRONNEBERG CF CAR FLATTENER

The Bronneberg car flattener, introduced in the 1970's and sold in large quantities since then, has been continuously improved to effortlessly process end of life vehicles (ELV). Designed to process even the most modern cars with very high rigidity. Available in diesel as well as electric version.

PERFECTION IN **RECYCLING MACHINES, SERVICES AND SOLUTIONS**



BRONNEBERG
FLATTENER

Equipped with container hook system for easy relocation

Reliable Concept

Low maintenance costs

Easy to operate



TECHNIQUE CF CAR FLATTENER

The ELV to be flattened can be loaded onto the ramp using a crane or forklift truck. The moving flattening plate flattens the vehicle, to move it forward after doing so. The Bronneberg car flattener is easy to relocate by using a container hook system. This car flattener can be used in manual and fully automatic mode.

Car Flattener



Power pack		Diesel, 90 HP Electric 37 kW
Operation		Manual/automatic
Production		20 -30 cars/hour
Feed opening		1.830 mm
Press force		1.040 kN - 104 T
Weight		16.000 Kg



PERFECTION IN RECYCLING MACHINES, SERVICES AND SOLUTIONS



BRONNEBERG

Our fleet of Service Vans
to ensure your
Recycling Machines
run smoothly,
anytime, anywhere.



PERFECTION IN RECYCLING MACHINES, SERVICES AND SOLUTIONS



LOURITEX | SCRAP SHEARS



Guillotine
scrap shears
suitable for
cutting the most
arduous jobs

LOURITEX SCRAPSHEARS

Bronneberg supplies a very extensive range of Louritex mobile or static shear-balers. These high-quality guillotine scrap shears are suitable for the most arduous cutting jobs at scrap yards. These guillotine shears are available in different configurations and to different cutting force specifications.

* Standard version: central lubrication, remote control, touch screen operation

- Well thought-out, robust build
- Baling of cars and bulky bulky scrap
- Shear head: double shear cylinder, prism guidance
- High speed means high production capacity

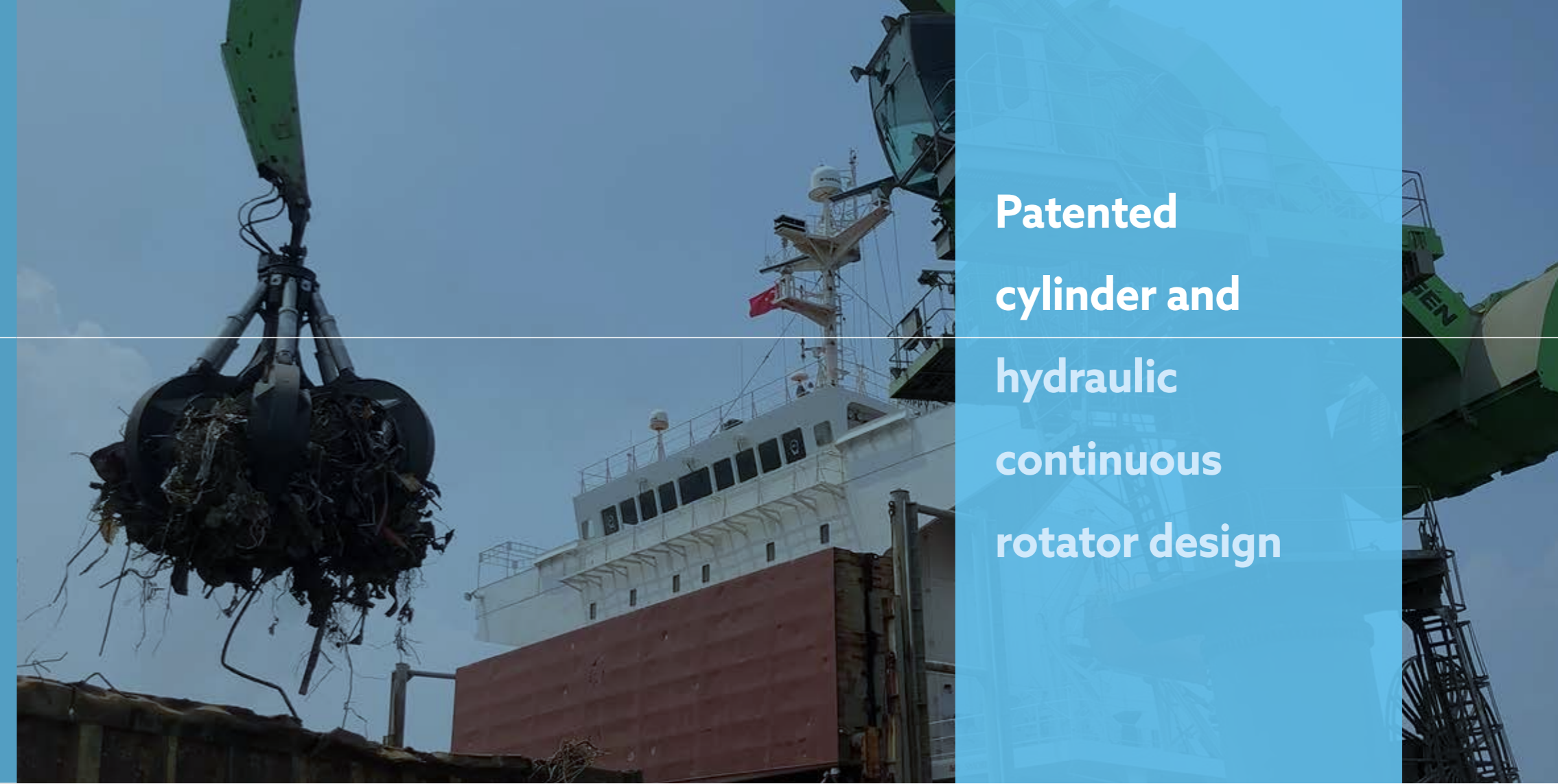
PERFECTION IN **RECYCLING MACHINES, SERVICES AND SOLUTIONS**

ROTOBEC | GRAPPLE



ROTOBEC GRAPPLE

The Rotobec Orange Peel Grapples are in line with the most powerful and robust scrap grapples in the market. These scrap grapples are specially designed for the heaviest duties within scrap companies.



Patented
cylinder and
hydraulic
continuous
rotator design

- Patented 360° continuous hydraulic rotator
- Unique cylinder design with internal oil return line

PERFECTION IN **RECYCLING MACHINES, SERVICES AND SOLUTIONS**

FORREC | RECYCLING SYSTEMS



**Patented
(hydraulic driven)
single, double
and four shaft
shredders**

FORREC RECYCLING SYSTEMS

ForRec designs and produces complete industrial installations for processing and separating different types of waste such as Ferrous and Non-Ferrous metal waste, Industrial waste, Plastics, Car tires, White goods, Brown goods etc.

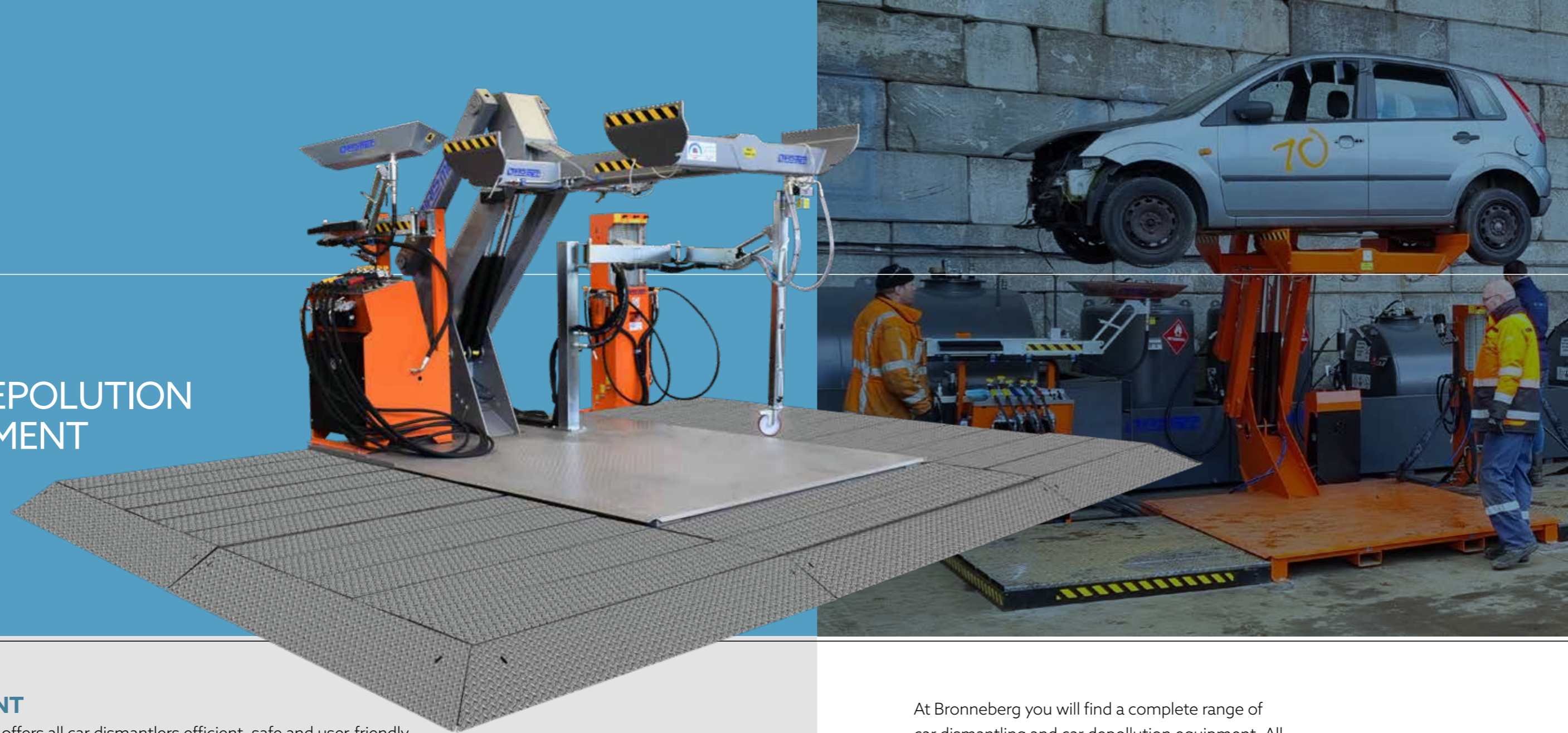
- Special patented (hydraulic driven) single-shaft shredders and rotary shears
- Hammer mills for breaking and separating ferrous and non-ferrous materials
- Granulation and separation systems for electrical cables, PCB boards, electronic equipment, and refrigerators
- Shredding machines for processing industrial, household and special waste

PERFECTION IN **RECYCLING MACHINES, SERVICES AND SOLUTIONS**



IRIS-MEC | CAR DEPOLUTION EQUIPMENT

DEPOLUTION



Removing the last liquids and consumables from end-of-life vehicles

IRIS-MEC CAR DEPOLUTION EQUIPMENT

In collaboration with Iris-Mec, Bronneberg offers all car dismantlers efficient, safe and user-friendly solutions for removing the last liquids and consumables from end-of-life vehicles. With our extensive range of professional drainage systems, all remaining liquids in the car can be safely drained into explosion-proof storage tanks by means of membrane pumps.

At Bronneberg you will find a complete range of car dismantling and car depollution equipment. All of our devices comply with the latest safety and environmental requirements and enable ergonomic work for the operators.

PERFECTION IN **RECYCLING MACHINES, SERVICES AND SOLUTIONS**



HOLMATRO | INDUSTRIAL CUTTING TOOLS



Almost
any cutting
application
you can
think of

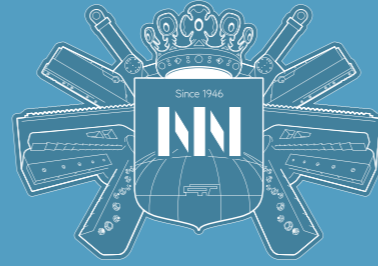
HOLMATRO INDUSTRIAL CUTTING TOOLS

Our wide range of Industrial Cutting Tools specially developed for markets such as recycling, demolition, nuclear industry, foundry and construction. Our experience provides us the technical expertise needed to offer you adequate solutions for almost any cutting application you can think of.

PERFECTION IN **RECYCLING MACHINES, SERVICES AND SOLUTIONS**



BRONNEBERG
SERVICES



Active in the recycling industry
for over 75 years

TOTAL RECYCLING SOLUTIONS

From Advice to Installation and Service,
we are your partner in your recycling needs.

Our mission is to lead the global recycling industry by delivering state-of-the-art recycling machines and solutions. We do this by providing comprehensive solutions tailored to the diverse needs of our clients, offering a range of products from small cable strippers to heavy-duty scrap balers and shears. Our services not only focus on delivering top-notch machines but also on providing comprehensive support, training, and maintenance.

From customized solutions for specific material streams to ongoing consultations, Bronneberg ensures that your recycling initiatives are seamlessly integrated and optimized. Our team of specialists is ready to assist in solving your recycling problems.

SPARE PARTS ON STOCK

Bronneberg not only excels in providing cutting-edge recycling machines but also ensures seamless operations through a commitment to service excellence. One distinctive aspect of our comprehensive services is having a strategic inventory of spare parts readily available.

Recognizing the importance of uninterrupted operations, we maintain a robust stock of essential components for our recycling machines. This proactive approach minimizes downtime, allowing our clients to maximize the efficiency of their recycling processes. Our dedication to customer satisfaction extends to prompt delivery and expert guidance on spare part replacement, ensuring that your Bronneberg equipment functions at its peak performance.

By having spare parts on stock, we empower businesses to maintain operational continuity, reduce maintenance costs, and contribute to a sustainable future through uninterrupted recycling activities. At Bronneberg, our focus on service, combined with a ready supply of spare parts, reflects our commitment to providing total recycling solutions to our customers.



BRONNEBERG
recycling machines & services

PERFECTION IN **RECYCLING MACHINES, SERVICES AND SOLUTIONS**



BRONNEBERG

Bronneberg BV
Branchweg 3
5705 DR Helmond
Nederland
T +31 (0)492 59 19 00
E info@bronneberg.nl

www.bronneberg.nl

